

TRASTA | AIRFIELD LIGHTING TRANSFORMER STAND – 6" & 12"

Brief Description

Rural Electric's patented non-metallic transformer stand is designed to support an isolation transformers in airfield base cans.

Details & Features

- Elevates the isolation transformer approximately 6" or 12" above the can bottom.
- Non-conductive construction provides a degree of isolation from the metallic base can.
- The fluted foot bottom allows for passage of the series conductors while leaving the drain hole unobstructed.
- Field tested to support in excess of 200 pounds.
- Ships flat for economical delivery and assembles in seconds.



Rural Electric, Inc., 9502 E. Main Street, Mesa, AZ 85207

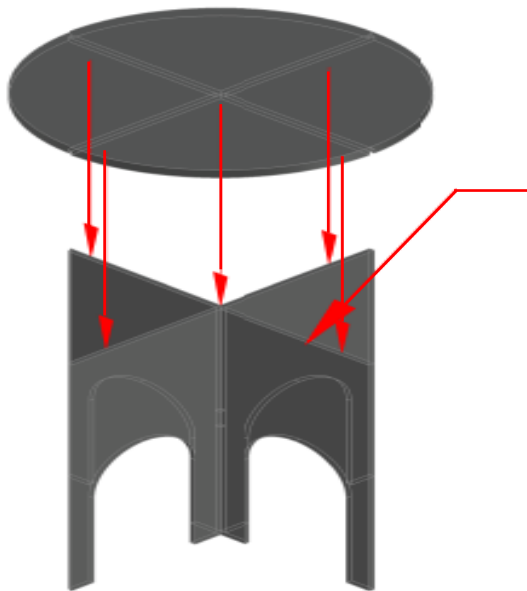
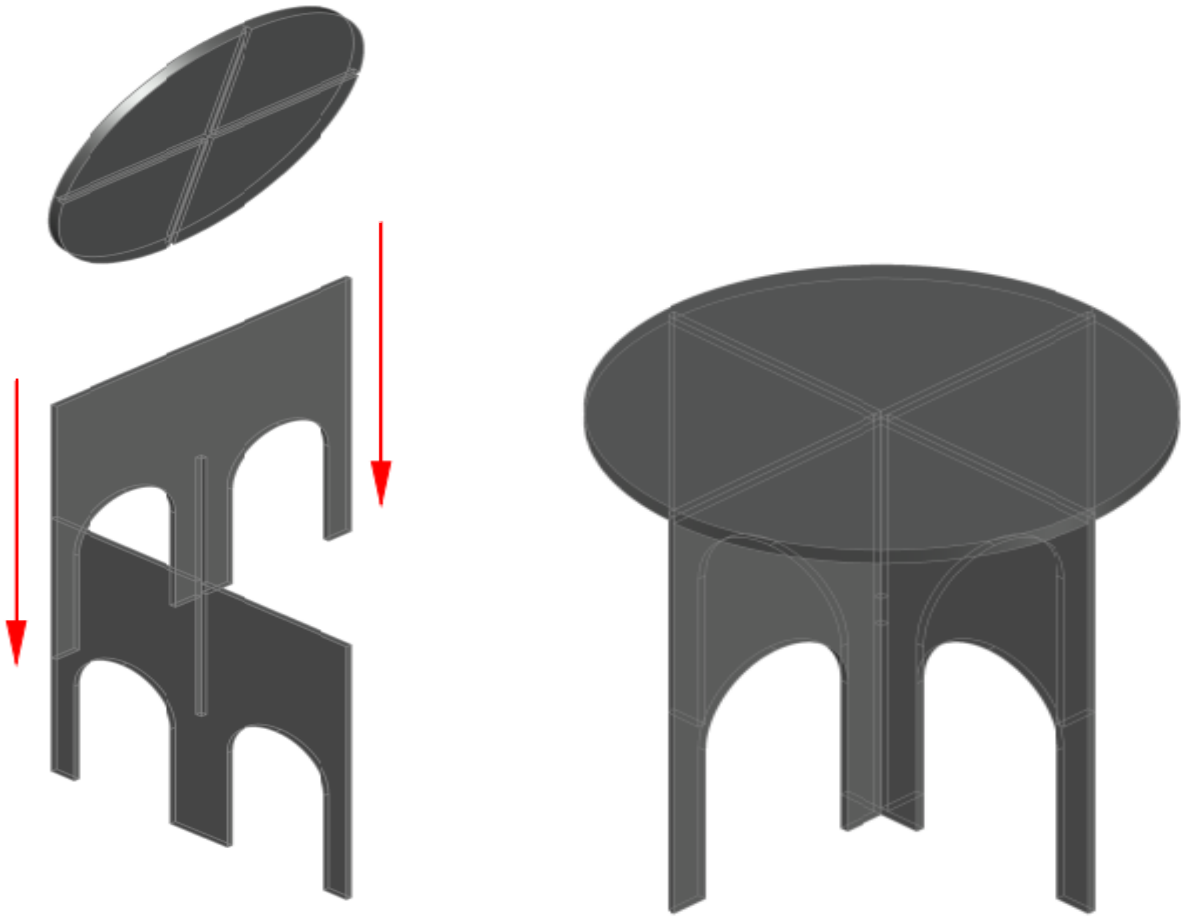
RuralElectric.com / Radio@RuralElectric.com / (888) 964-1488

WHY? PROTECT AND RAISE THE TRANSFORMER



Rural Electric, Inc., 9502 E. Main Street, Mesa, AZ 85207
RuralElectric.com / Radio@RuralElectric.com / (888) 964-1488

TRASTA ASSEMBLY



Apply PVC pipe cement to the top. Attach the top and set upside down until the pipe cement is dry. Place in can.



Rural Electric, Inc., 9502 E. Main Street, Mesa, AZ 85207

RuralElectric.com / Radio@RuralElectric.com / (888) 964-1488